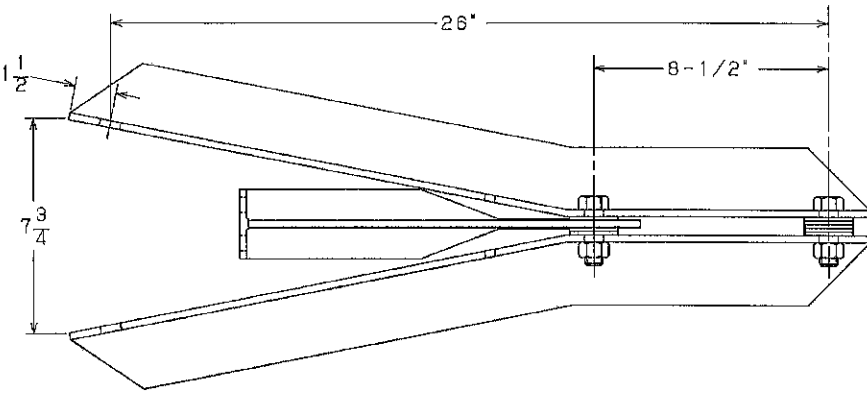


=NOTES=

1. MAT'L: STEEL, HOT DIP GALV. PER ASTM A159 (LATEST REV.)



CATALOG NUMBER
C7920
 ANGLE SIZE: 3 X 2-1/2 X 1/4

LATEST EC NO:	REV.	DATE	CHANGED BY	RESP ENGINEER
99091502	A	10-15-93	QUALLS	ODOM
			DO NOT SCALE THIS DWG	THIRD ANGLE PROJECTION
			1:50 EQUAL DIMENSIONS IN=INCH, MM=MILLIMETER	

DRN BY:	DATE	TITLE:	SIZE
SCRIVNER	08-26-90	CABLE EXTENSION ARM	C



CHANCE



DWG No: SA7920

CONFIDENTIAL: THIS DRAWING AND ITS CONTENTS ARE CONFIDENTIAL AND THE EXCLUSIVE PROPERTY OF HUBBELL POWER SYSTEMS COMPANY. NO REPRODUCTION, DISTRIBUTION OR DISSEMINATION OF THIS DRAWING OR ITS CONTENTS MAY BE MADE WITHOUT WRITTEN CONSENT BY HUBBELL/A. B. CHANCE COMPANY. © 2000 HUBBELL/A. B. CHANCE. UNPUBLISHED - ALL RIGHTS RESERVED UNDER THE COPYRIGHT LAWS